

H10 PRODUCT OVERVIEW

The H10 kayak puts all the great features boaters love about the H12 into a nimble, easy-to-carry 10' package. For performance, it features our exclusive tunnel hull design for great stability at rest and straight tracking underway. The hull even features a stepped bow and keel to slice through chop and waves. Above the water, the H10 is just as impressive, delivering exceptional storage capabilities in the fore and aft compartments—both with soft covers for easy access on the go.

Tunnel Hull: Custom tunnel-style hull with a stepped keel in the bow and stern to deliver excellent hydrodynamic performance, as well as a solid platform with best-in-class maneuverability in rivers and streams.

Accessory Rails: 3 recessed accessory rails pre-installed into the port, starboard and forward midship gunnels allow you to quickly add virtually any aftermarket accessory that attaches to a rail system – [Accessories not included](#).

Adjustable Foot Braces: Allows a comfortable fit for anyone approximately 5' 2"-6' 2" (1.57-1.88 m) tall. Adjustments can be made in tandem with the 8" (20.32 cm) seat adjustment to balance the load and maximize performance.

Deluxe Removable Seating System: Suspended deluxe steel frame ergonomic cushioned seat with upgraded integration into the kayak and innovative features to keep you high, dry and comfortable. Positive friction bungee hold downs secure the seat while portaging and transporting it. It features 6-position adjustability for maximum comfort while paddling. The removable seat can be used at base camp and includes dual drink holders that rotate 180 degrees.

Multipurpose Open Deck: Open deck platform offers maximum storage versatility, including a bow hatch and stern cover.

And then inside the cockpit, you'll find huge amounts leg room thanks to the open design. You'll also find that the comfortable seat puts you in the perfect position to access the rod holders just aft of the cockpit, as well whatever optional accessories you mount on the port and starboard rails. The end result is a stable, nimble fishing and paddling platform with great load-carrying capabilities that's great for a wide range of activities.

- **Large Cockpit:** Largest open cockpit on the market allowing for more mobility : as well as easy entry and exit – 47.4" long (1.20 m), 23.6" wide (59.94 cm).
- **Expandable Mesh Bow & Stern Cargo Cover:** Multipurpose bow and stern : tankwells sized to accept very large dry bags and plentiful gear options. Covers : allow quick access while securely holding gear and can be adjusted to suspend : off the bottom of the hull to create a dry, quick-access storage area.
- **Soft Saddlebags:** Port and starboard saddlebags that quickly connect to the : under-gunnel D-rings with carabiner clips. Included 2 types: open mesh and : waterproof material. Extra carabiner clips included.
- **Dual Flush-Mounted Rod Holders:** Allows secure transport of various types of : rods and reels with quick access while on the water. Rod leash ready.
- **Performance Grip Handles:** Molded-over bow and stern rubber grip handles : for easy transport. Attached with 1/4" (.64 cm) stainless steel bolts.
- **Drain Plug:** Threaded, sealed drain plug allows you to easily drain excess : water from the boat.

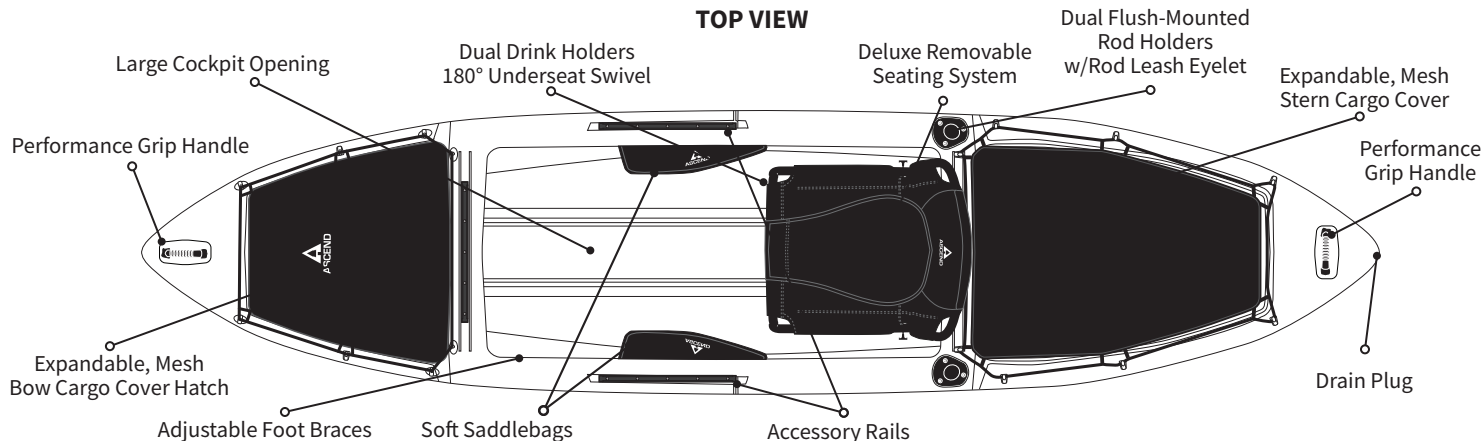
Kayak Anatomy

H10 HYBRID KAYAK

H10 model shown w/all accessories. Models and accessories will vary.

- Length: 10' (3.05 m)
- Width: 31" (78.74 cm)
- Weight w/Seat: 55 lbs. (24.95 kg)
- Max. Capacity: 400 lbs. (181.44 kg)

TOP VIEW



SIDE VIEW

